

Tentative



DIGITAL VET SURGERY SYSTEM

Jumong VET_RF

SGhealthcare Veterinary System

Experience advanced system

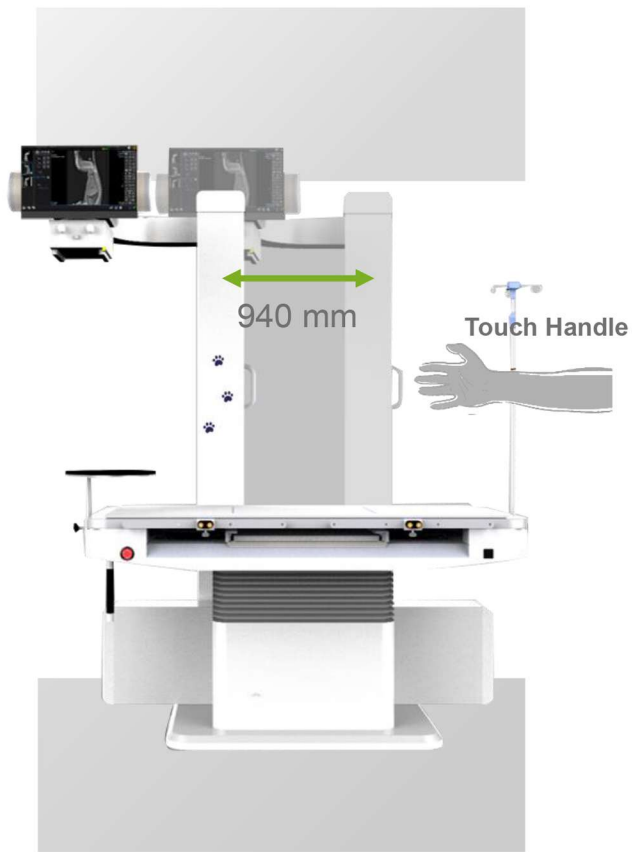
RF System brings quality time to your work place

Jumong VET_RF



Jumong Vet_RF is a compact and versatile digital surgery system.
Designed for VET imaging.

1 . TABLE



- Horizontal Moving range ≥ 940 mm enables flexible user positioning
- Easy to adjust the position with capacitive touch handle

• DRAINAGE

Stainless steel drainage troughs are provided at both ends of the table, to enable collection of fluids

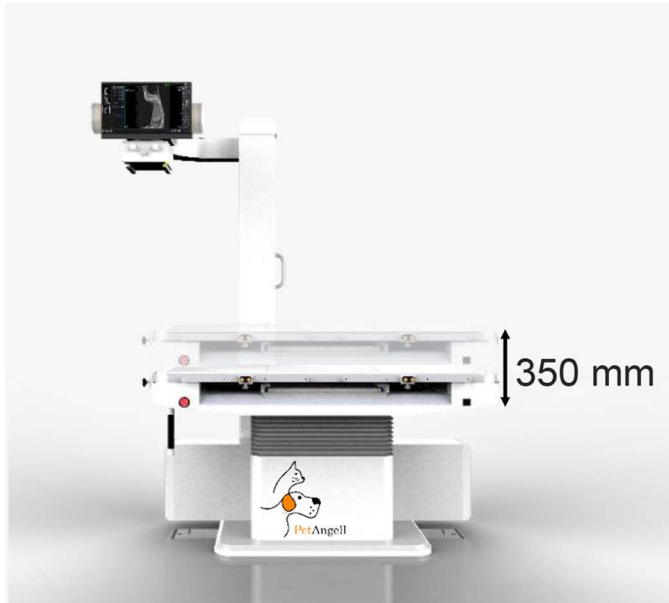
• EASY TO CLEAN

The operating table is made of high-quality materials, and can be thoroughly cleaned post surgery.

• VERSATILITY

The compact table can be positioned in multiple directions to meet the clinical needs.

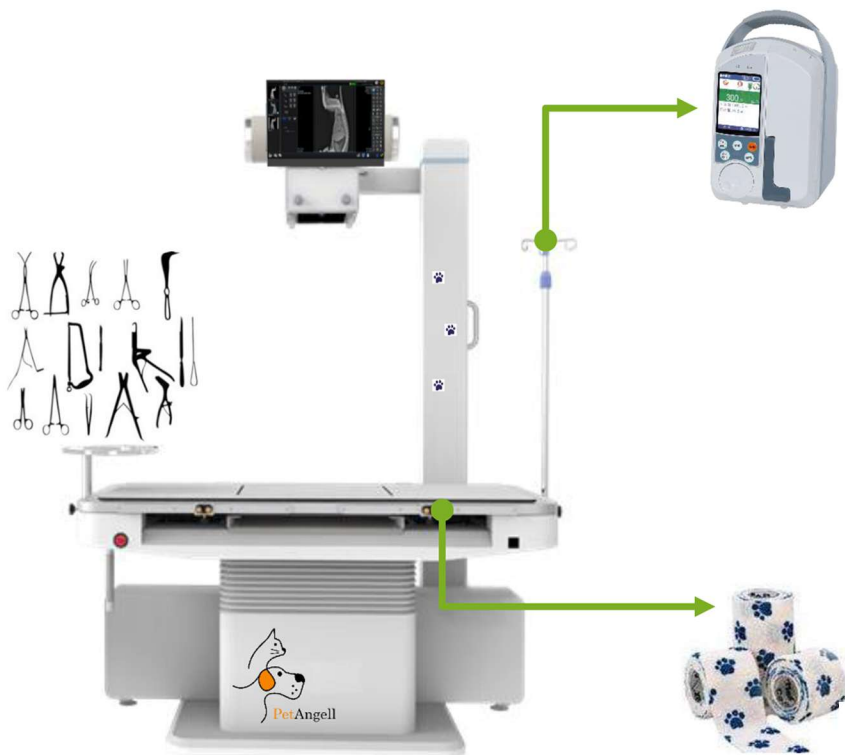




- The Motorized table can be raised and lowered 350mm, to adapt to different surgical needs.



- The table can be tilted up to 15° by power, to facilitate down-flow of fluids during surgery.



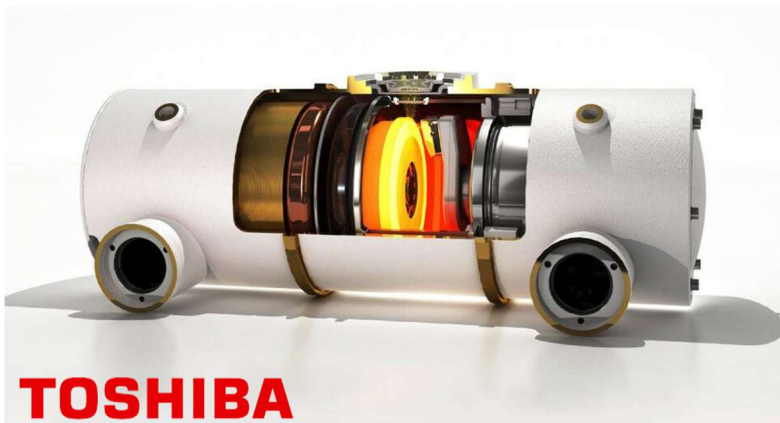
- The table provides professional attachments for accessoires used during surgery
 - Surgical bandage clip
 - Surgical instruments carrier
 - Surgical infusion stand

2. CONSOLE



- Optimal X-ray exposure parameter selection based upon anatomical programmed regions
- Display images in real time
- Synchronization control with workstation in real time
- Touch LCD Screen :
Screen size : 15.6"
Screen ratio : 16 : 9

3. TUBE



- TOSHIBA Tube
- Focal spot : 0.6mm / 1.2mm
- Anode heat capacity : 150kHU
- Max. X-ray Tube voltage : 150kV

E7843X

4. GENERATOR



- Input voltage 220V / 110V AC
- Power : 32kW
- mA Range :
 - Radiography : 10-400mA
 - Fluoroscopy : 0.5-20mA
- kV Range :
 - Radiography : 40 - 150kV
 - Fluoroscopy : 40 - 125kV
- mA rise time : 1ms

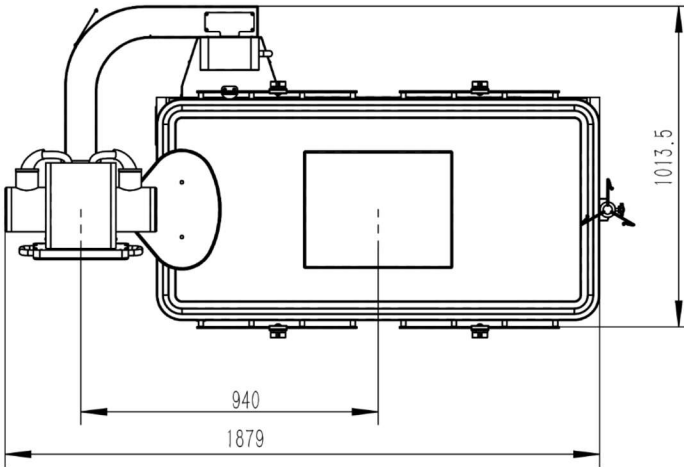
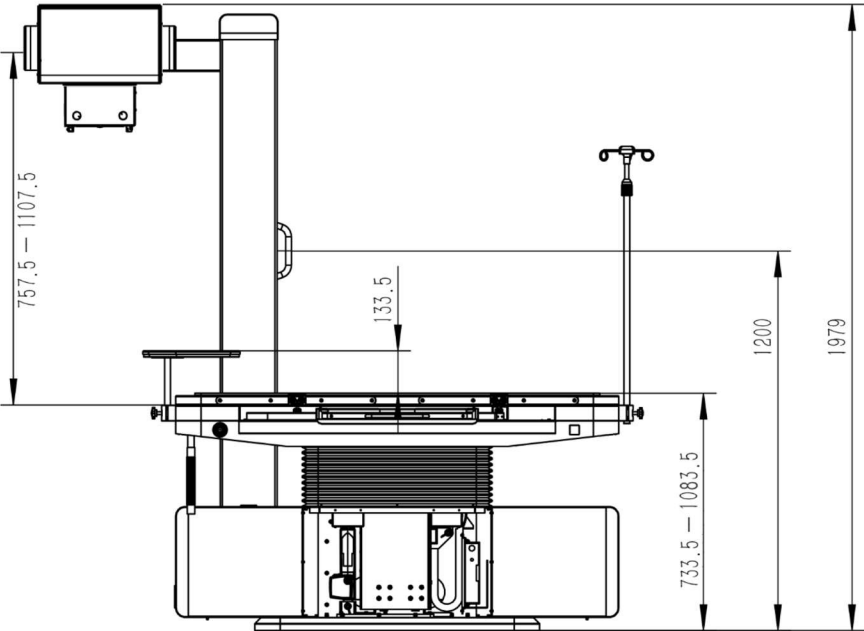
5. DETECTOR



- Dimensions : 470 x 470 x 35mm³
- Pixel matrix : 3072 x 3072
- AD conversion : 16bit
- Scintillator : CsI, direct deposition
- Data interface : Optical fiber
- Frame rate (fps) : 5
- Pixel pitch : 139 μ m
- Spatial resolution : 3.6 lp/mm

6. DIMENSION

(size : mm)



* All specifications can be subject without any notice.



5. Service

Customer Oriented



Your values are of utmost importance to us. As a leading medical diagnostic device manufacturer, we take full responsibility in satisfying your needs by providing high quality products to the global market. Also, by collaborating user friendly interface and design, we actualize your desires and needs. We promise to stand by your side and always strive to add pleasure at your work place.

Approved Quality



We put great deal of emphasis on well-being of mankind. SG Healthcare upholds this value by manufacturing reliable and reasonable medical diagnostic devices. And also by distributing our quality products all over the world through fortified SG Healthcare's global network, we wish to present better life for every little breath.

24/7 Fast response



We embrace all challenges and counter act with pride and quickness to all claims. Fast response offers customers with satisfaction and improves reliability of SG Healthcare. We strive to provide the most comprehensive service for every claim, regardless of location and time. This is how we have maintained friendship over 30 countries worldwide.



113 Jungdae-Ro, Songpa-Gu, Seoul, Korea 05718
4801 Wilshire Blvd, Ste. 104 Los Angeles, CA 90010 USA

Copyright © SG HealthCare Co.,Ltd. All Rights Reserved.

How to reach us
www.sghealthcare.com
sales@sghealthcare.com
Tel +82 (0)2 449 6908 / FAX +82 (0)2 449 6909